

Connecting flexible coils to an EM

The flexible coil integrators need a supply power of 6-12V. 12V are available in the device bus cable that is connected to the EM. The signal from the integrator is connected to the CT inputs on the EM; output - to k and output + to l. Integrators labeled CT1, CT2 and CT3 should be connected to inputs marked the same on the EM. The flexible coils are placed around the conductors to be measured, make sure that the coils go around the right conductor, from integrator CT1 to phase 1 (L1) and so on. In figure 2 you see which way the coil should turn on the conductor. Also check that the voltage is connected to the correct input on the EM, otherwise the measurements for kWh and power factor will not be correct.

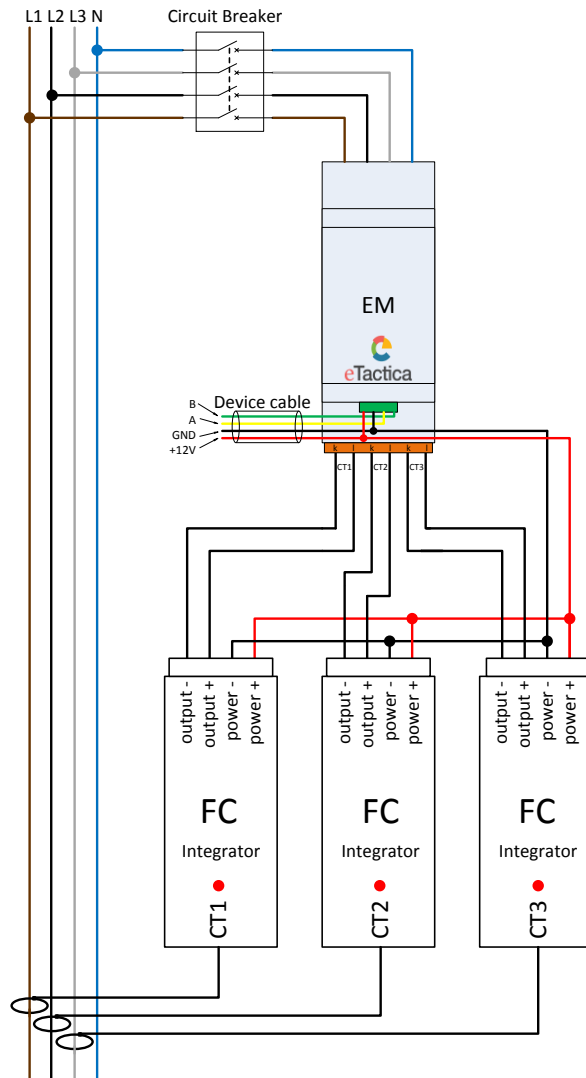


Figure 1 Connection diagram

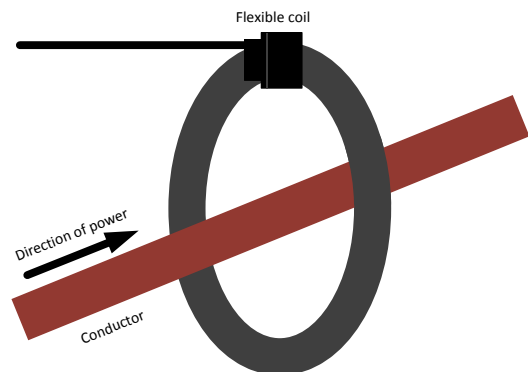


Figure 2 Flexible coil on a conductor